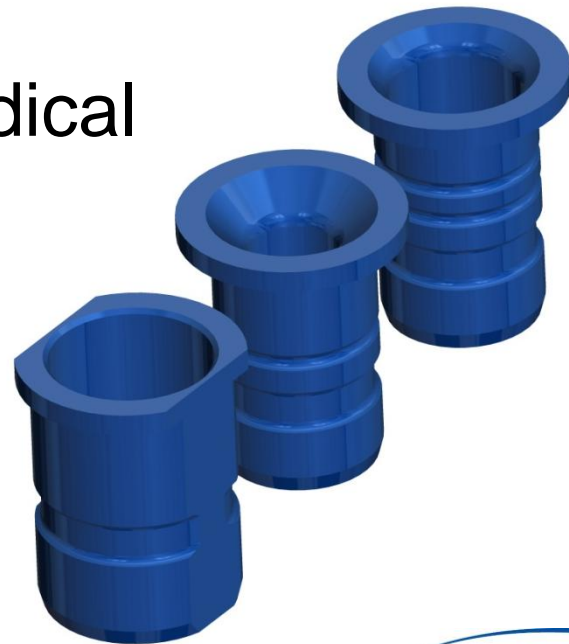


StecoGuide

Drill sleeves for Thommen Medical



Drill sleeves library

Download Steco drill sleeves for Thommen Medical
in 3Shape Implant Studio™ separately !
(Sleeves are not in standard Steco library)

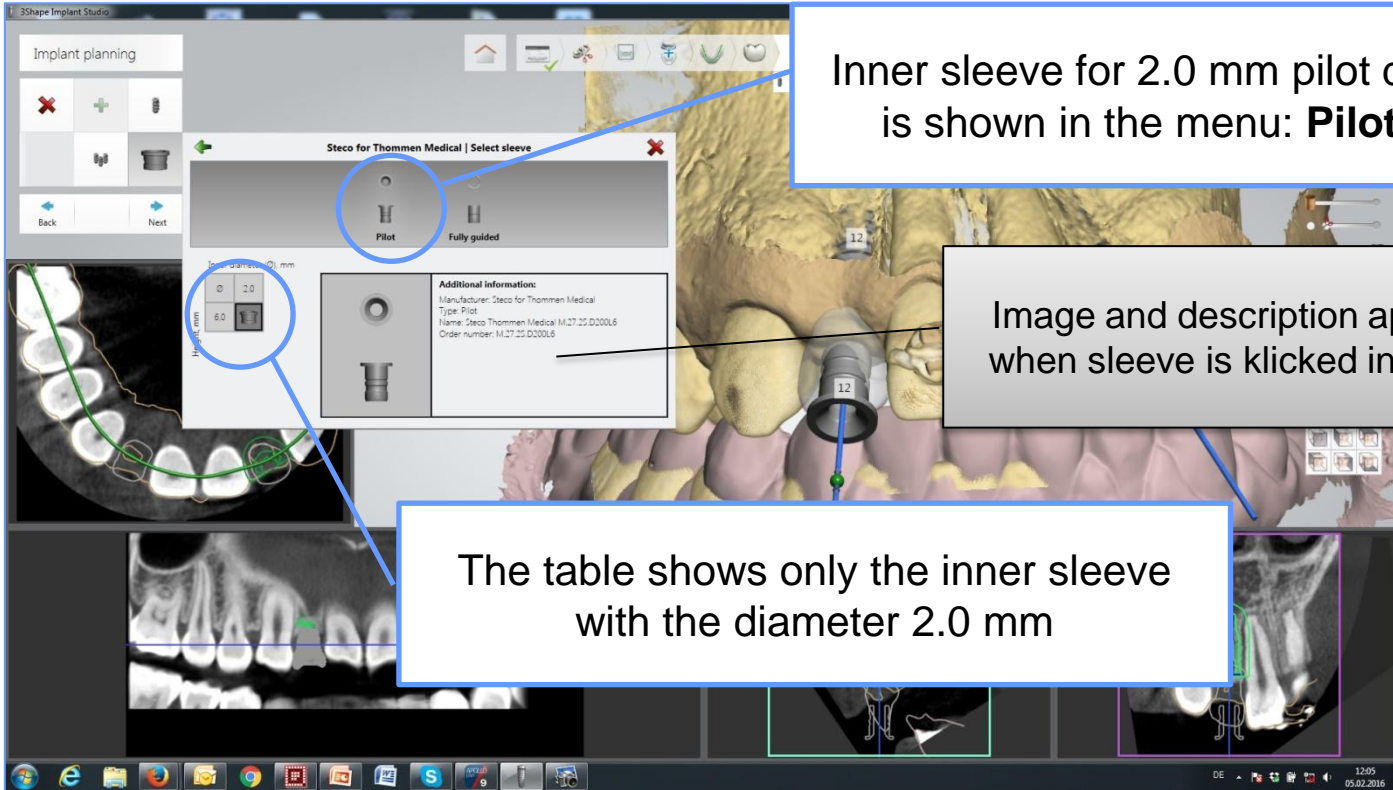


StecoGuide drill sleeves for Thommen Medical have been developed by Steco and Thommen Medical. They are not compatible to StecoGuide Double sleeve system (universal).

selection StecoGuide drill sleeve for Thommen

1. Select Thommen Medical implant
2. Select sleeve library **Steco für Thommen Medical**
3. Slect sleeve type **Pilot**
Fully guided

Selection StecoGuide for Thommen Medical as **Pilot sleeve**



Implant planning

Steco for Thommen Medical | Select sleeve

Pilot Fully guided

Additional information:	
Manufacturer: Steco for Thommen Medical	
Type: Pilot	
Name: Steco Thommen Medical M.27.05.0200L6	
Order number: M.27.05.0200L6	

Drill diameter (mm): 2.0

Table diameter (mm): 6.0

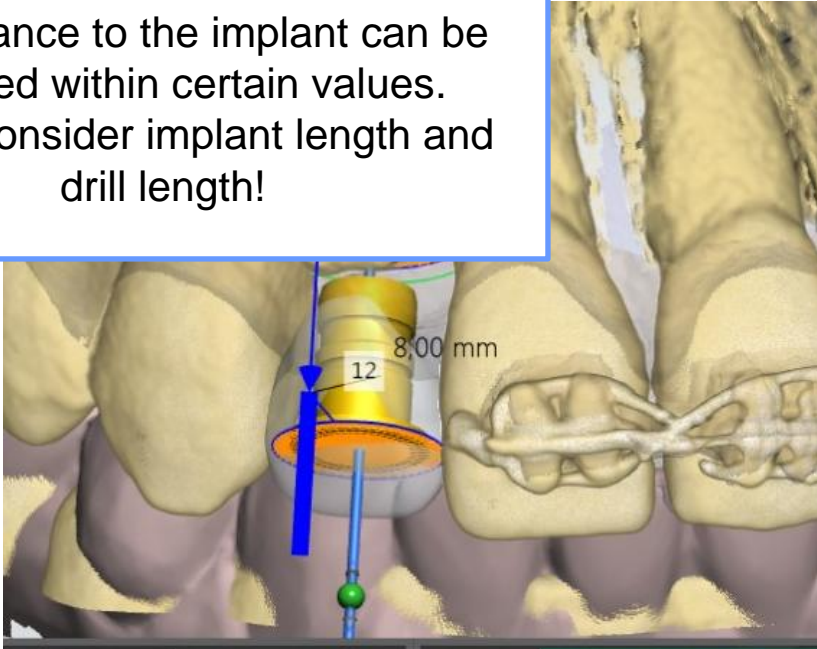
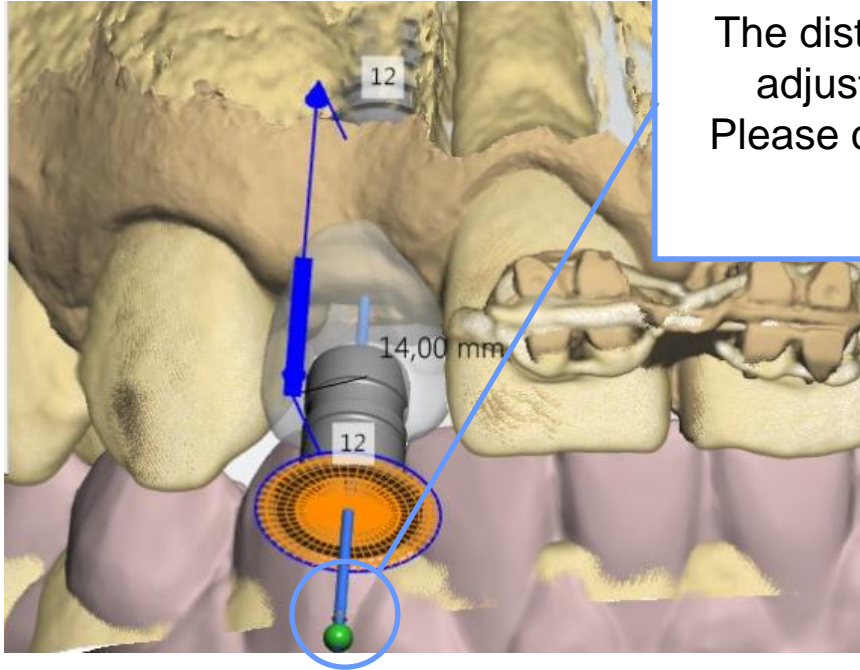
Inner sleeve for 2.0 mm pilot drill is shown in the menu: **Pilot**

Image and description appear when sleeve is clicked in table

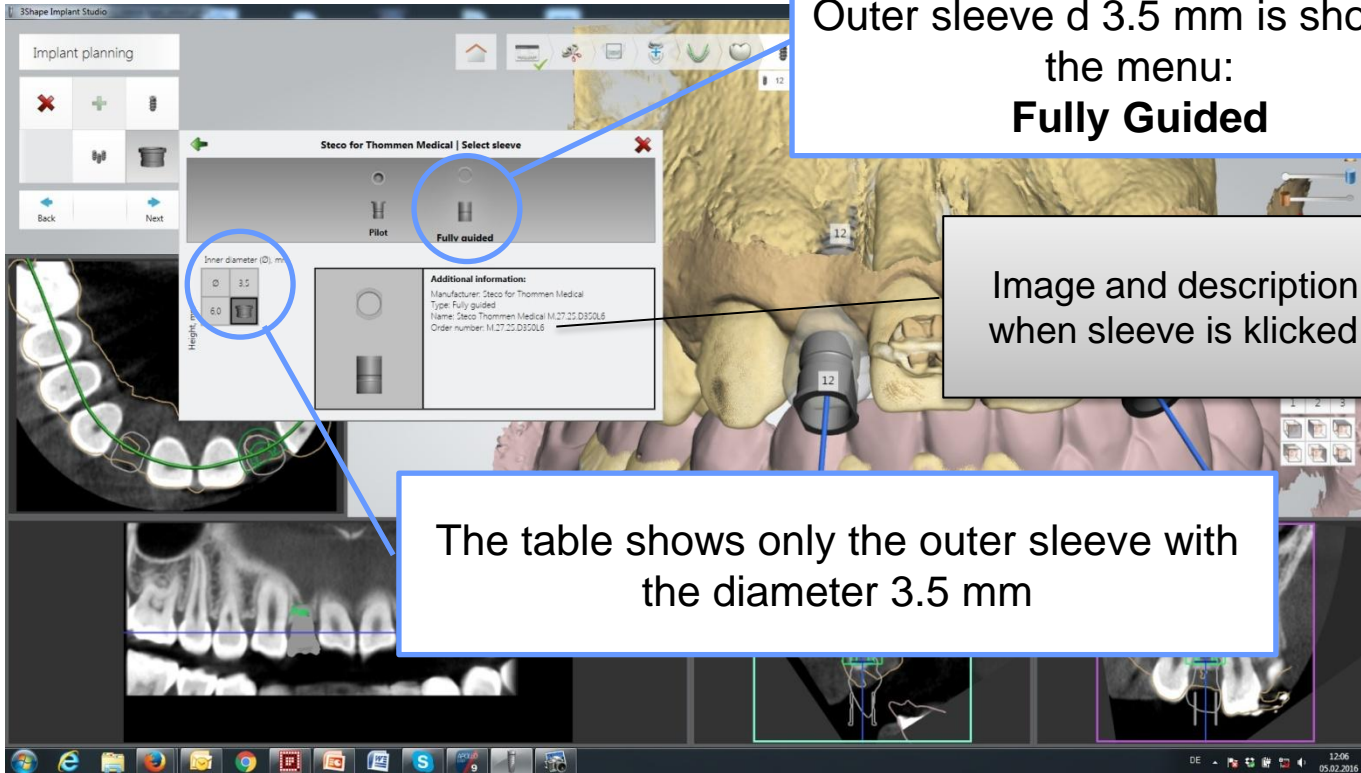
The table shows only the inner sleeve with the diameter 2.0 mm



The distance to the implant can be adjusted within certain values. Please consider implant length and drill length!



Selection StecoGuide for Thommen Medical as double sleeve **Fully Guided**



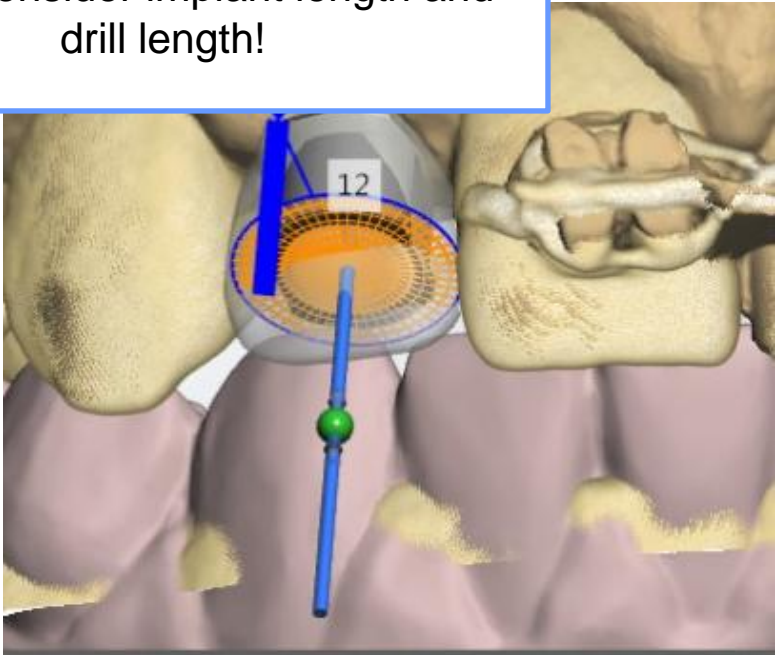
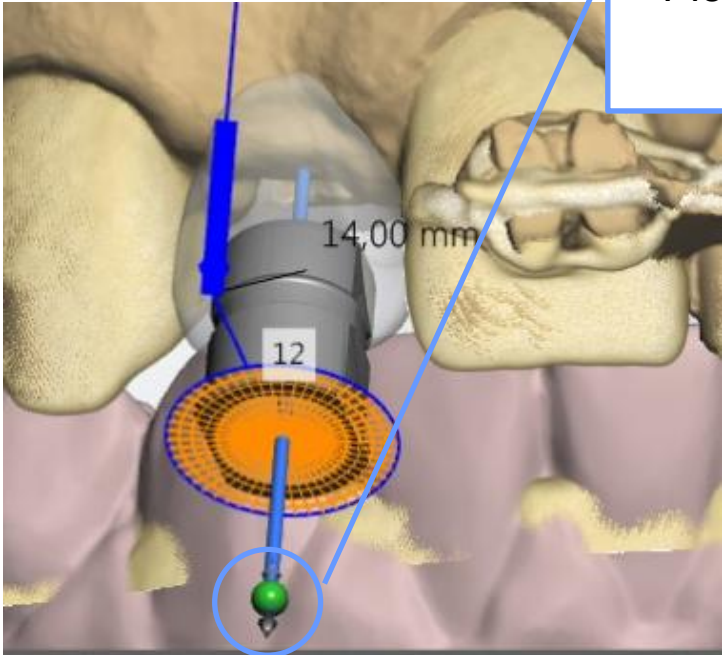
Outer sleeve d 3.5 mm is shown in the menu:
Fully Guided

Image and description appear when sleeve is clicked in table

The table shows only the outer sleeve with the diameter 3.5 mm



The distance to the implant can be adjusted within certain values.
Please consider implant length and drill length!



Principle StecoGuide double sleeves for Thommen Medical

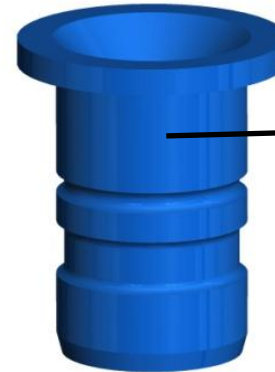
Plan outer sleeve in 3Shape Implant Studio™ and fix it in template.

Two inner sleeves (d 2.0 and 2.8 mm) fit in outer sleeve and are changed to be adapted to the drill diameter.

Outer sleeve REF M.27.25.D350L6
(fixed in template)
Guides **VECTOdrill 3.5**



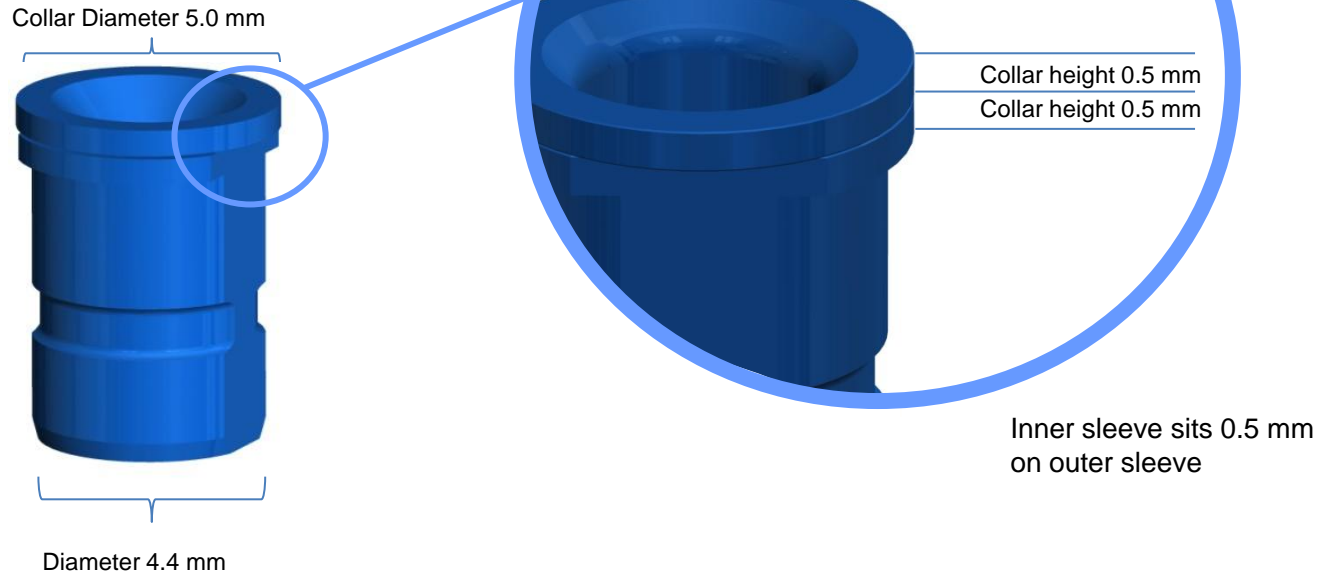
Inner sleeve REF M.27.25.D200L6
(fits to outer sleeve)
Guides **pilot drill 2.0**



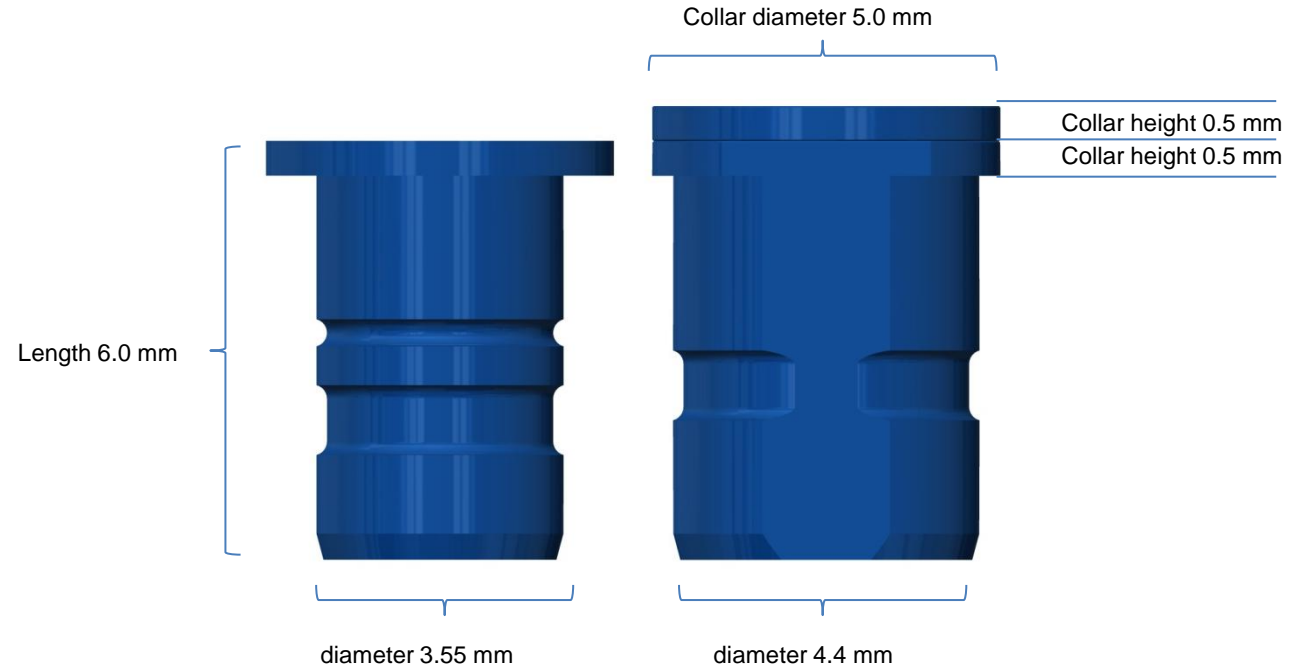
Inner sleeve REF M.27.25.D280L6
(fits to outer sleeve)
Guides **VECTOdrill 2.8**

Depth stop double sleeves for Thommen Medical

*Depth control over
Laser marking on VECTOdrill*



Dimensions for free construction of template



Inner sleeve sits 0.5 mm
on outer sleeve



info@steco.de



+49 (0)40 55 77 81 0



+49 (0)40 55 77 81 99



steco.beratung2



Finde uns bei Facebook

www.steco.de

Kollaustr. 6 , 22529 Hamburg, Germany