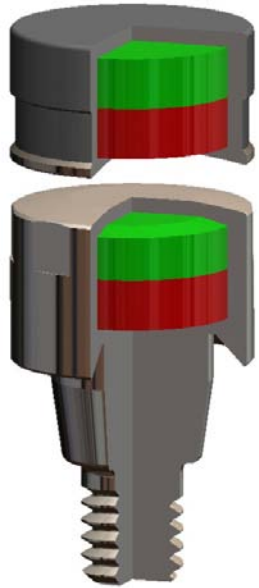


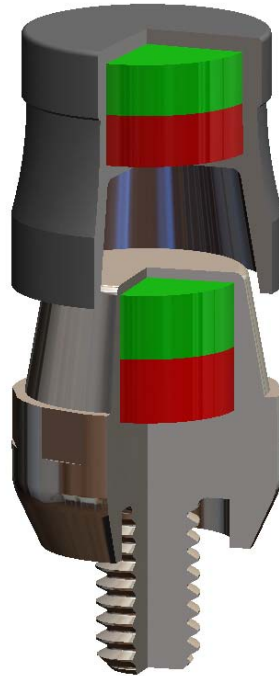
Four designs



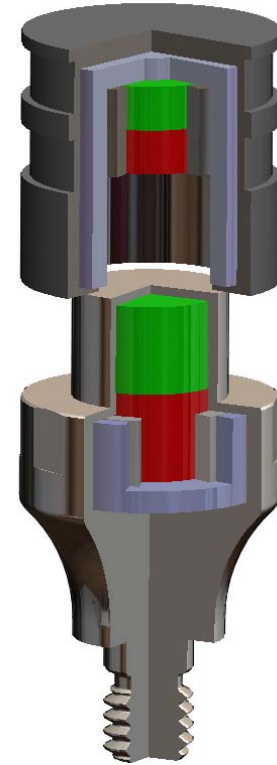
For more than 60 implant connections (from Ankylos to Zimmer)



X-Line (Z-Line)



K-Line



T-Line

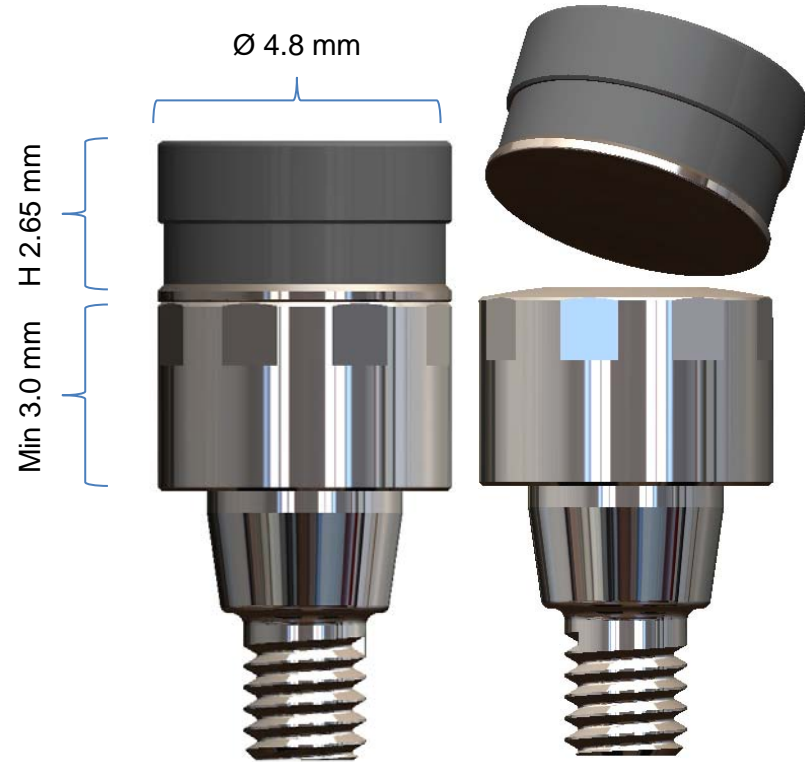
Titanmagnetics® X-Line

Spheric surface

Self centration

No lateral force on implant

Retention force
X-Line 1.6 N



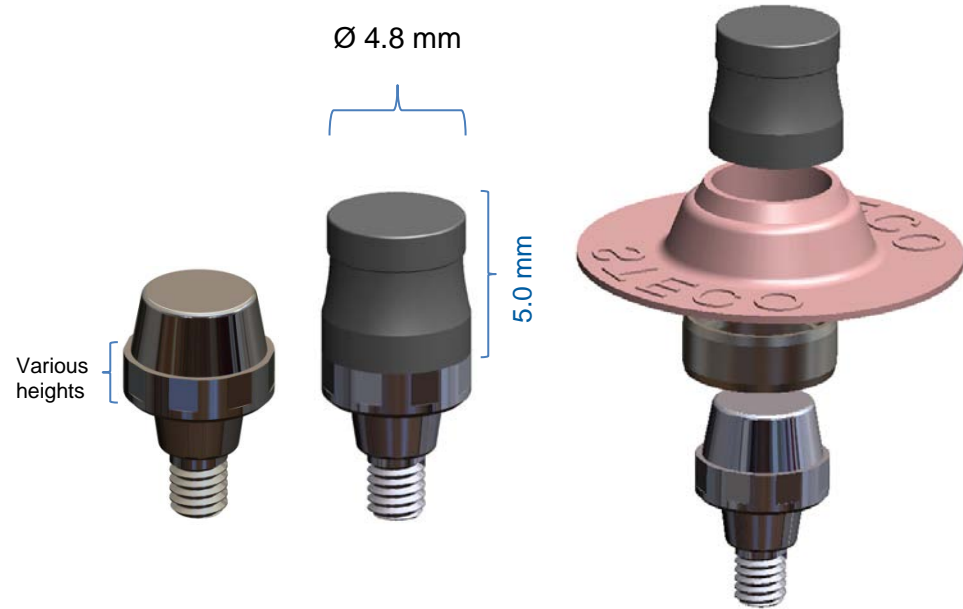
Titanmagnetics® K-Line

Conical surface (10°)

Lateral stability

Takes lateral forces!

Retention force
X-Line 1.6 N



Titanmagnetics[®] Z-Line

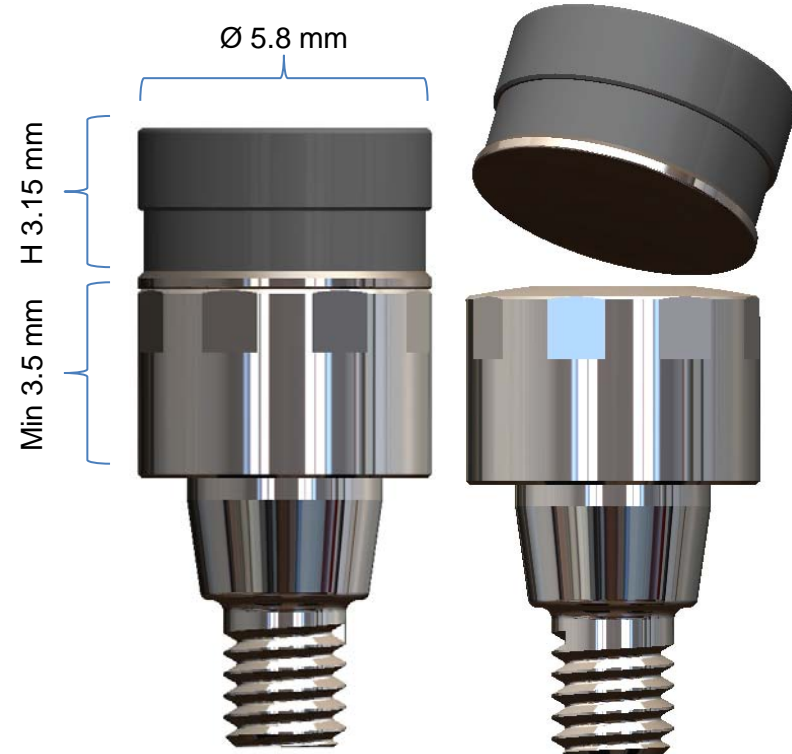
Spheric surface

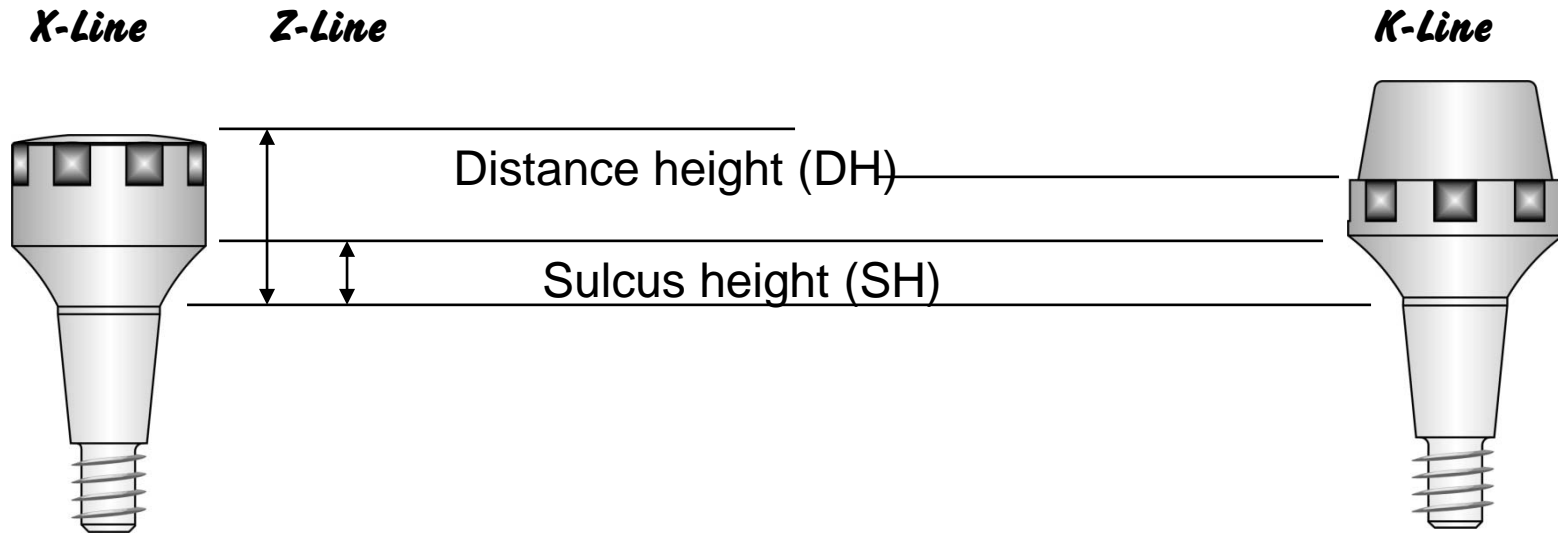
Self centration

No lateral force on implant



Retention force
Z-Line 3.0 N





I.03.02.X440 DH 4,4 mm/ SH 1,5 mm

I.03.02.X590 DH 5,9 mm/ SH 3,0 mm

I.03.02.Z440 DH 4,4 mm/ SH 1,4 mm

I.03.03.K275 DH 2,75 mm/ SH 1,5 mm

I.03.02.K425 DH 4,25 mm/ SH 2,9 mm